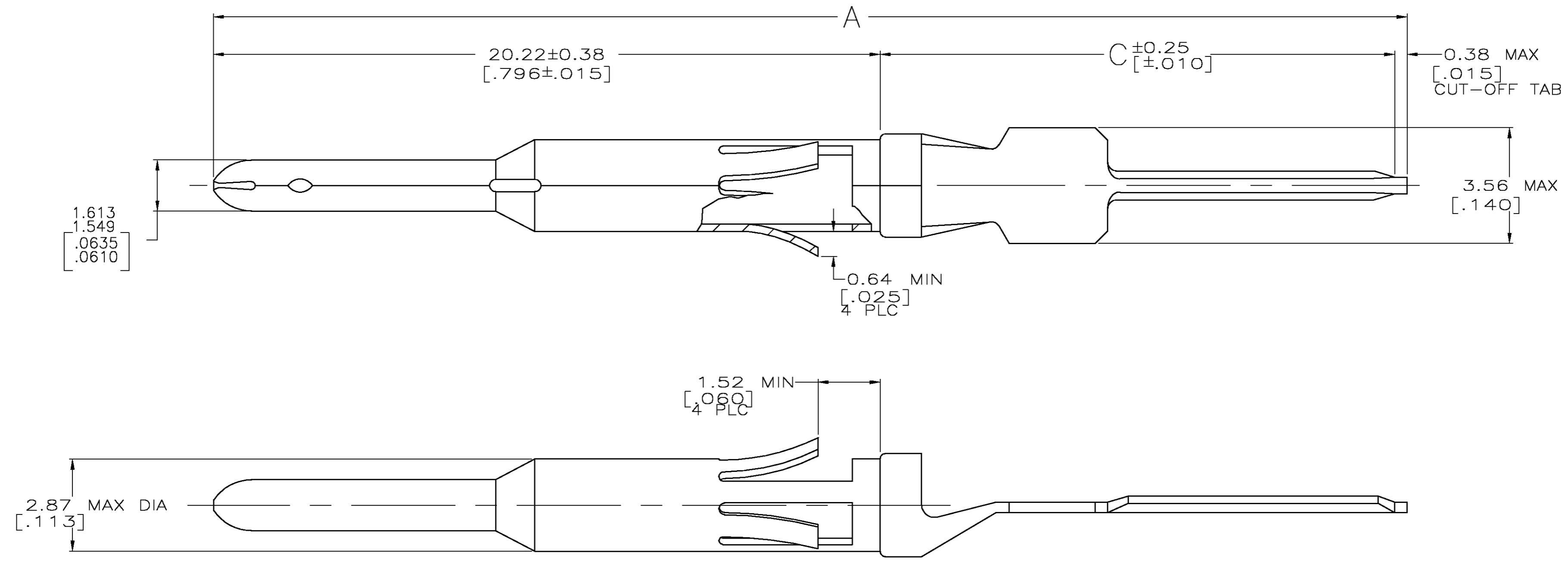


THIS DRAWING IS UNPUBLISHED. RELEASED FOR PUBLICATION
 © COPYRIGHT BY TYCO ELECTRONICS CORPORATION. ALL RIGHTS RESERVED.

| LOC | DIST | REVISIONS | | | | | |
|-----|------|-----------|-----|--------------------------|----------|-----|------|
| FT | 0 | P | LTR | DESCRIPTION | DATE | DWN | APVD |
| | | G | | REVISED PER 0G3B-1175-04 | 12/22/04 | SS | GS |



| | | |
|--------------------------|---------------|-------------|
| 25.91 [1.020] | 46.51 [1.831] | 2-66730-1 |
| 21.11 [.831] | 41.71 [1.642] | 1-66730-9 |
| 15.80 [.622] | 36.40 [1.433] | 1-66730-7 |
| 25.91 [1.020] | 46.51 [1.831] | 66730-9 |
| 21.11 [.831] | 41.71 [1.642] | 66730-6 |
| 15.80 [.622] | 36.40 [1.433] | 66730-3 |
| C A | | PART NUMBER |

- ⚠ BRASS PER MIL-C-50.
- ⚠ 0.76µm [.000030] MIN GOLD FOR A LENGTH OF 3.81 [.150] MIN ON CONTACT END, 1.27µm [.000050] MIN TIN-LEAD ON OPPOSITE END, BOTH OVER 1.27µm [.000050] MIN NICKEL ON ENTIRE CONTACT.
- 3. GOLD PLATING PER MIL-G-45204; TIN PLATING PER MIL-T-10727; NICKEL PLATING PER QQ-N-290.
- ⚠ 0.76µm [.000030] MIN GOLD FOR A LENGTH OF 3.81 [.150] MIN ON CONTACT END, 1.27µm [.000050] MIN TIN ON OPPOSITE END, BOTH OVER 1.27µm [.000050] MIN NICKEL ON ENTIRE CONTACT.

| | | | | |
|---------------------------------------|--|---------------------|---|--------------------|
| THIS DRAWING IS A CONTROLLED DOCUMENT | | DWN L.SIPE 07/09/92 | Tyco Electronics Corporation Harrisburg, Pa 17105-3608 | |
| | | CHK R.STONE 7-10-92 | | |
| DIMENSIONS: mm [INCHES] | TOLERANCES UNLESS OTHERWISE SPECIFIED: | APVD - | NAME CONTACT, PIN, TYPE VI, POSTED | |
| | 0 PLC ± - | PRODUCT SPEC - | SIZE A2 | |
| | 1 PLC ± - | APPLICATION SPEC - | CAGE CODE 00779 | DRAWING NO C=66730 |
| | 2 PLC ± 0.13 [.005] | WEIGHT - | RESTRICTED TO - | |
| | 3 PLC ± - | CUSTOMER DRAWING | SCALE 10:1 | SHEET 1 OF 1 |
| MATERIAL - ⚠ | FINISH - ⚠ | REV G | | |